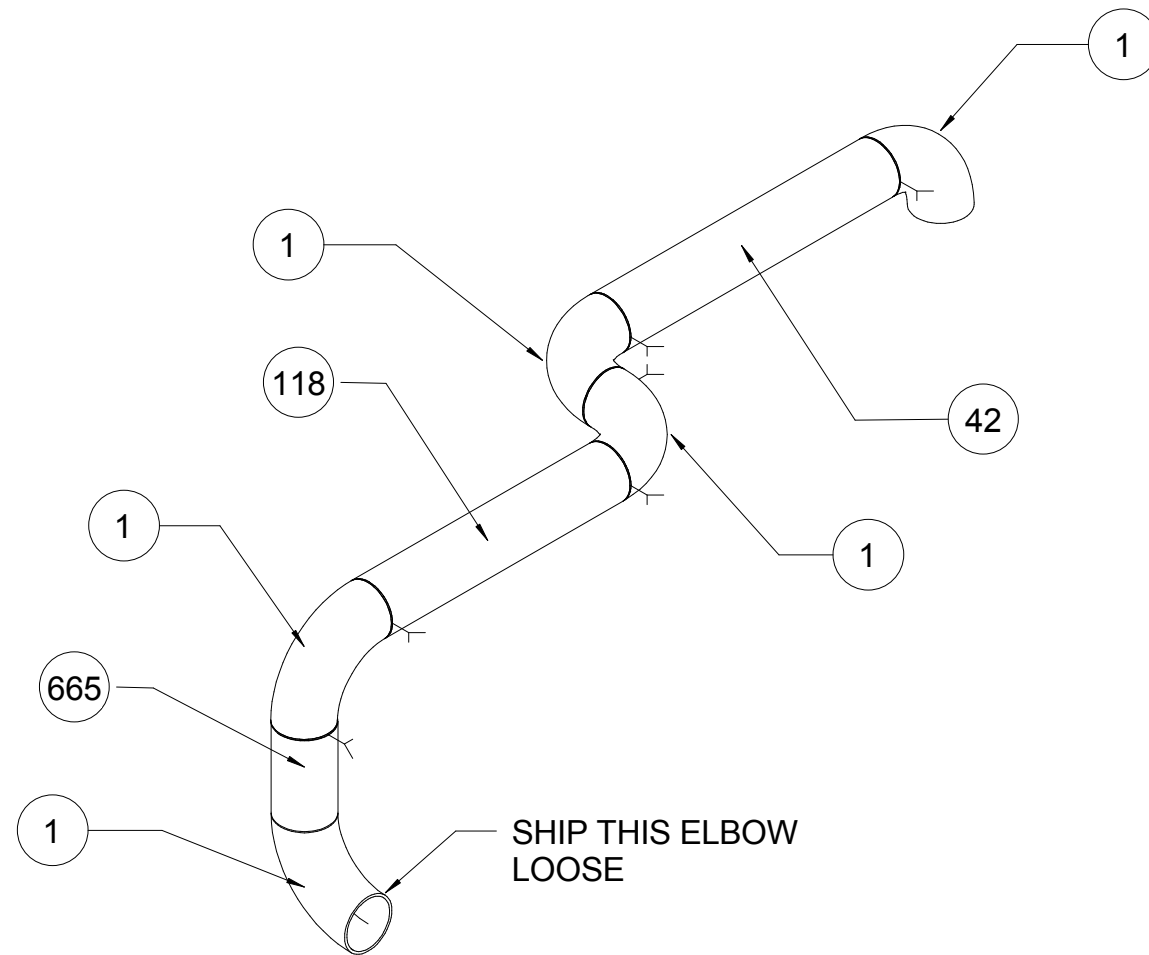


### SP-1 Fitting Schedule

Piece No	Quantity	Size	Manufacturer	Description
1	5	5"	Weldbend	Weldbend CS Sch Std 90 Long Radius Elbow
2	6	5"	WeldBend	Weldbend CS Sch Std Shop Weld Gap_125

### SP-1 Pipe Schedule

Item No	Size	Length	Material	Description	Comments
42	5"	2' - 7 19/32"	Pipe Mill List CS Std Wt A53 ERW Gr-B Pipe BW x BW	CS BW WeldBend (CS Thd Anvil x CS BW WeldBend)	
118	5"	2' - 3 15/16"	Pipe Mill List CS Std Wt A53 ERW Gr-B Pipe BW x BW	CS BW WeldBend (CS Thd Anvil x CS BW WeldBend)	
665	5"	0' - 9 1/4"	Pipe Mill List CS Std Wt A53 ERW Gr-B Pipe BW x BW	CS BW WeldBend (CS Thd Anvil x CS BW WeldBend)	ADD 12" TO PIPE LENGTH FOR FIELD CUT/WELD



Phone: (586) 825-3910  
 Fax: (586) 782-6314  
[www.intentionBIM.com](http://www.intentionBIM.com)

Date: 12/10/14	Floor:	Job Name: SJP RIVER DISTRICT HOSPITAL
Drawn By: LFJ	Area:	Shop Ref DWG:
	Job No:	Spool No: SP-1

### SP-2 Fitting Schedule

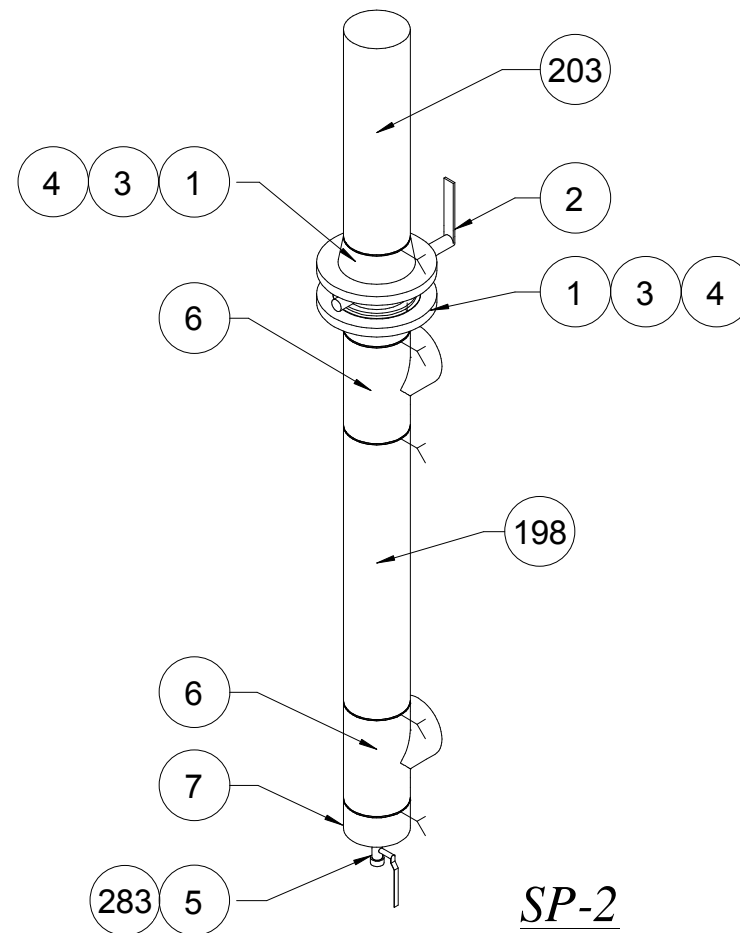
Piece No	Quantity	Size	Manufacturer	Description
6	2	5"	Weldbend	Weldbend CS Sch Std Straight Tee
7	1	5"	WeldBend	Weldbend CS Sch Std Cap
8	5	5"	WeldBend	Weldbend CS Sch Std Shop Weld Gap_125

### SP-2 Accessory Schedule

Piece No	Quantity	Size	Manufacturer	Description
1	2	5"	WeldBend	WeldBend CS Class 150 Weld Neck RF Flange
2	1	5"	Nibco	Nibco DI LD-2000 Butterfly Valve
3	2	5"	Standard	Boltset
4	2	5"	Standard	Gasket
5	1	0.75"	Nibco	Nibco BRZ T-580-70 Ball Valve

### SP-2 Pipe Schedule

Item No	Size	Length	Material	Description	Comments
198	5"	2' - 4"	Pipe Mill List CS Std Wt A53 ERW Gr-B Pipe BW x BW	CS BW WeldBend (CS Thd Anvil x CS BW WeldBend)	
203	5"	1' - 9 1/32"	Pipe Mill List CS Std Wt A53 ERW Gr-B Pipe BW x BW	CS BW WeldBend (CS Thd Anvil x CS BW WeldBend)	ADD 12" TO PIPE LENGTH FOR FIELD CUT/WELD
283	3/4"	0' - 1 1/8"	Mueller CS Sch Std A53 Black Steel Pipe 21 Ft MPT x MPT	CS Thd Anvil (CS GRV Victaulic x Thd Anvil)	



***SP-2***



Phone: (586) 825-3910  
 Fax: (586) 782-6314  
 www.intentioBIM.com

Date: 12/10/14	Floor:	Job Name: SJP RIVER DISTRICT HOSPITAL
Drawn By: LFJ	Area:	Shop Ref DWG:
	Job No:	Spool No: SP-2

### SP-3 Fitting Schedule

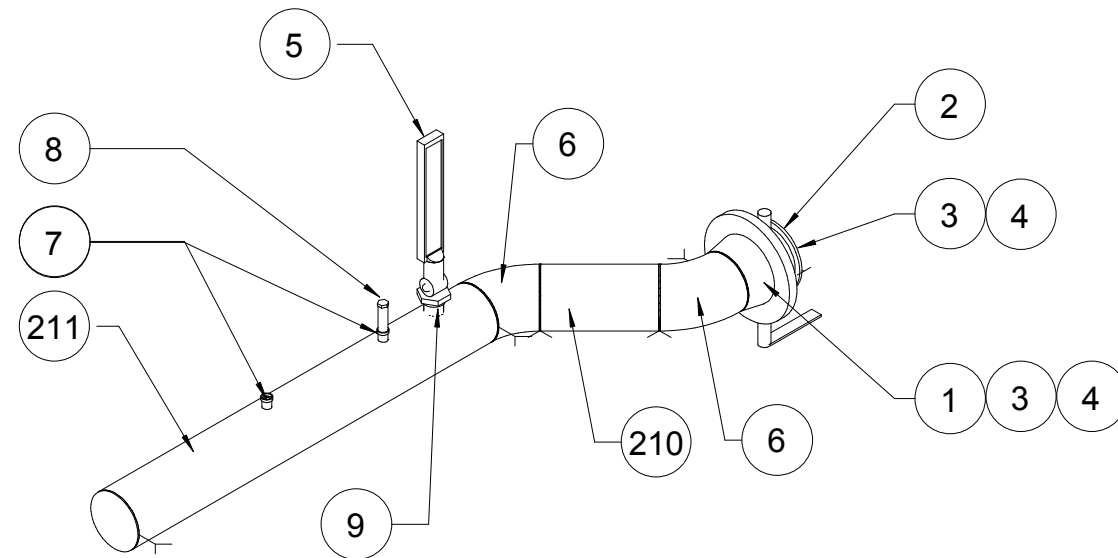
Piece No	Quantity	Size	Manufacturer	Description
6	2	5"	Weldbend	Weldbend CS Sch Std 45 Long Radius Elbow
7	2	5x0.5	Anvil	Anvil FS Class 3000 Flat Thread-O-Let
8	1	0.5"	PEC	PEC BR XL Neoprene
9	1	5x1.25	Anvil	Anvil FS Class 3000 Flat Thread-O-Let
10	5	5"	WeldBend	Weldbend CS Sch Std Shop Weld Gap_125

### SP-3 Accessory Schedule

Piece No	Quantity	Size	Manufacturer	Description
1	1	5"	WeldBend	WeldBend CS Class 150 Weld Neck RF Flange
2	1	5"	Nibco	Nibco DI LD-2000 Butterfly Valve
3	2	5"	Standard	Boltset
4	2	5"	Standard	Gasket
5	1	1.25"	Trerice	Trerice AL CX9-2-403-42 Industrial Thermometer

### SP-3 Pipe Schedule

Item No	Size	Length	Material	Description	Comments
210	5"	0' - 9 13/16"	Pipe Mill List CS Std Wt A53 ERW Gr-B Pipe BW x BW	CS BW WeldBend (CS Thd Anvil x CS BW WeldBend)	
211	5"	3' - 6 7/32"	Pipe Mill List CS Std Wt A53 ERW Gr-B Pipe BW x BW	CS BW WeldBend (CS Thd Anvil x CS BW WeldBend)	



SP-3



Phone: (586) 825-3910  
 Fax: (586) 782-6314  
 www.intentionBIM.com

Date: 12/10/14	Floor:	Job Name: SJP RIVER DISTRICT HOSPITAL
Drawn By: LFJ	Area:	Shop Ref DWG:
	Job No:	Spool No: SP-3

### SP-4 Fitting Schedule

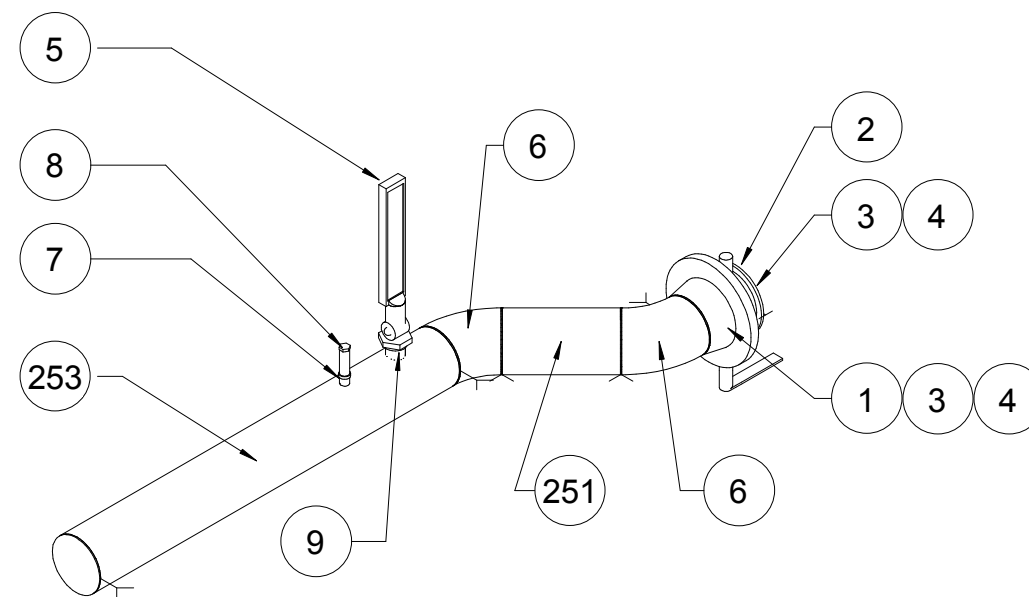
Piece No	Quantity	Size	Manufacturer	Description
6	2	5"	Weldbend	Weldbend CS Sch Std 45 Long Radius Elbow
7	1	5x0.5	Anvil	Anvil FS Class 3000 Flat Thread-O-Let
8	1	0.5"	PEC	PEC BR XL Neoprene
9	1	5x1.25	Anvil	Anvil FS Class 3000 Flat Thread-O-Let
10	5	5"	WeldBend	Weldbend CS Sch Std Shop Weld Gap_125

### SP-4 Accessory Schedule

Piece No	Quantity	Size	Manufacturer	Description
1	1	5"	WeldBend	WeldBend CS Class 150 Weld Neck RF Flange
2	1	5"	Nibco	Nibco DI LD-2000 Butterfly Valve
3	2	5"	Standard	Boltset
4	2	5"	Standard	Gasket
5	1	1.25"	Terrice	Terrice AL CX9-2-403-42 Industrial Thermometer

### SP-4 Pipe Schedule

Item No	Size	Length	Material	Description	Comments
251	5"	0' - 9 13/16"	Pipe Mill List CS Std Wt A53 ERW Gr-B Pipe BW x BW	CS BW WeldBend (CS Thd Anvil x CS BW WeldBend)	
253	5"	3' - 6 7/32"	Pipe Mill List CS Std Wt A53 ERW Gr-B Pipe BW x BW	CS BW WeldBend (CS Thd Anvil x CS BW WeldBend)	



SP-4



Phone: (586) 825-3910  
 Fax: (586) 782-6314  
 www.intentionBIM.com

Date: 12/10/14	Floor:	Job Name: SJP RIVER DISTRICT HOSPITAL
Drawn By: LFJ	Area:	Shop Ref DWG:
	Job No:	Spool No: SP-4

### SP-5 Fitting Schedule

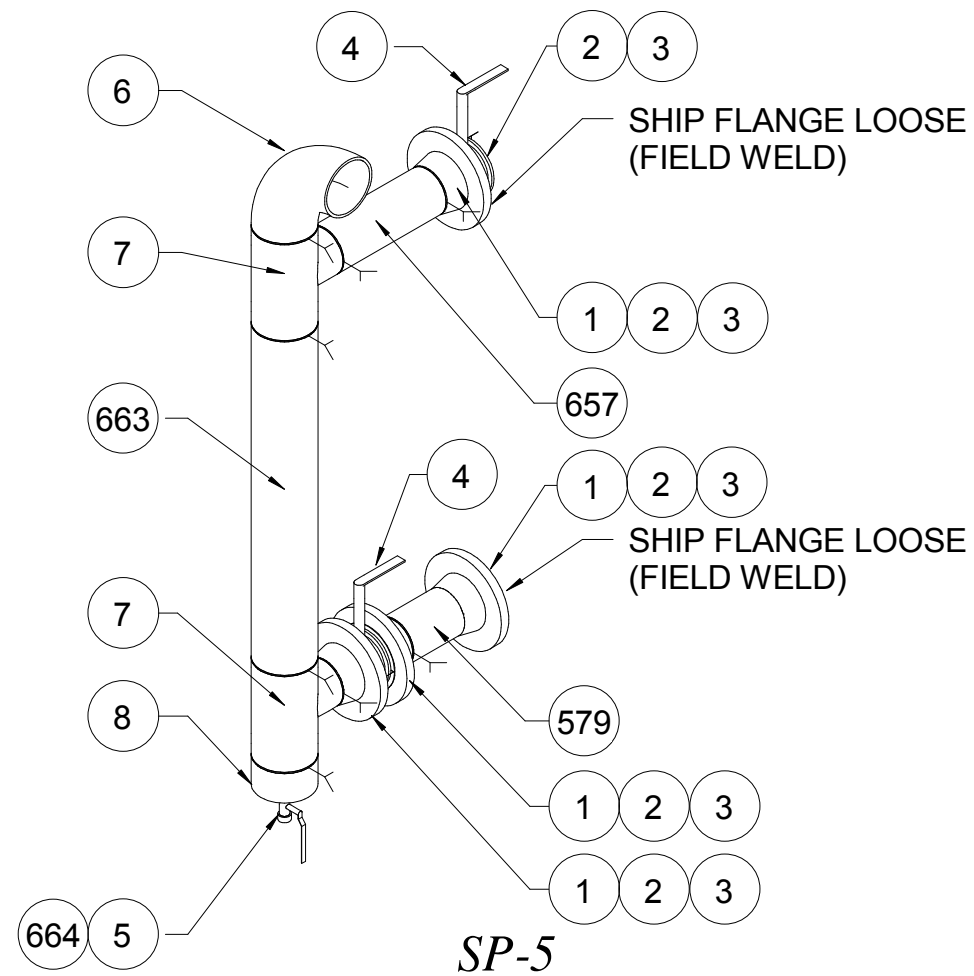
Piece No	Quantity	Size	Manufacturer	Description
6	1	5"	Weldbend	Weldbend CS Sch Std 90 Long Radius Elbow
7	2	5"x4"	Weldbend	Weldbend CS Sch Std Reducing Tee
8	1	5"	WeldBend	Weldbend CS Sch Std Cap
9	4	4"	WeldBend	Weldbend CS Sch Std Shop Weld Gap_125
10	4	5"	WeldBend	Weldbend CS Sch Std Shop Weld Gap_125

### SP-5 Accessory Schedule

Piece No	Quantity	Size	Manufacturer	Description
1	4	4"	WeldBend	WeldBend CS Class 150 Weld Neck RF Flange
2	5	4"	Standard	Boltset
3	5	4"	Standard	Gasket
4	2	4"	Nibco	Nibco DI LD-2000 Butterfly Valve
5	1	0.75"	Nibco	Nibco BRZ T-580-70 Ball Valve

### SP-5 Pipe Schedule

Item No	Size	Length	Material	Description	Comments
579	4"	0' - 6"	Pipe Mill List CS Std Wt A53 ERW Gr-B Pipe BW x BW	CS BW WeldBend (CS Thd Anvil x CS BW WeldBend)	ADD 12" TO PIPE LENGTH FOR FIELD CUT/WELD
657	4"	1' - 0"	Pipe Mill List CS Std Wt A53 ERW Gr-B Pipe BW x BW	CS BW WeldBend (CS Thd Anvil x CS BW WeldBend)	ADD 12" TO PIPE LENGTH FOR FIELD CUT/WELD
663	5"	2' - 10"	Pipe Mill List CS Std Wt A53 ERW Gr-B Pipe BW x BW	CS BW WeldBend (CS Thd Anvil x CS BW WeldBend)	
664	3/4"	0' - 1 3/16"	Mueller CS Sch Std A53 Black Steel Pipe 21 Ft MPT x MPT	CS Thd Anvil (CS GRV Victaulic x Thd Anvil)	



Phone: (586) 825-3910  
 Fax: (586) 782-6314  
 www.intentionBIM.com

Date: 12/10/14	Floor:	Job Name: SJP RIVER DISTRICT HOSPITAL
Drawn By: LFJ	Area:	Shop Ref DWG:
	Job No:	Spool No: SP-5

### SP-6 Fitting Schedule

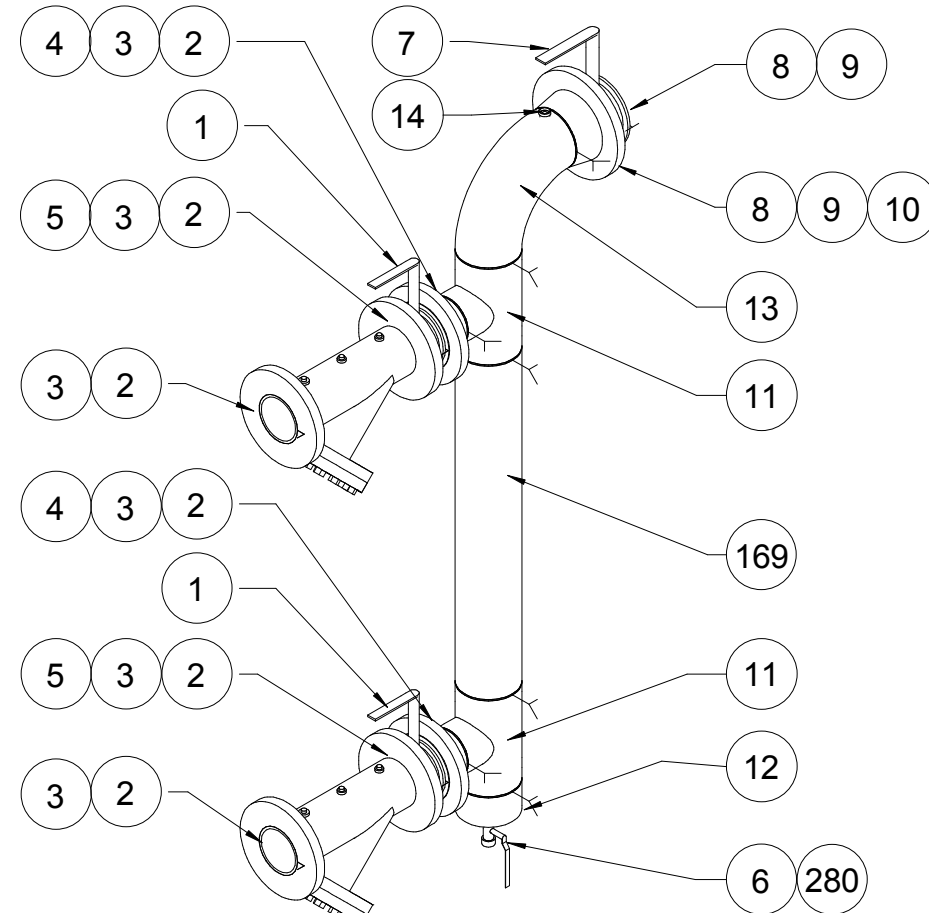
Piece No	Quantity	Size	Manufacturer	Description
11	2	5"x4"	Weldbend	Weldbend CS Sch Std Reducing Tee
12	1	5"	WeldBend	Weldbend CS Sch Std Cap
13	1	5"	Weldbend	Weldbend CS Sch Std 90 Long Radius Elbow
14	1	5x0.5	Anvil	Anvil FS Class 3000 Flat Thread-O-Let
15	5	5"	WeldBend	Weldbend CS Sch Std Shop Weld Gap_125
16	2	4"	WeldBend	Weldbend CS Sch Std Shop Weld Gap_125

### SP-6 Accessory Schedule

Piece No	Quantity	Size	Manufacturer	Description
1	2	4"	Nibco	Nibco DI LD-2000 Butterfly Valve
2	6	4"	Standard	Boltset
3	6	4"	Standard	Gasket
4	2	4"	WeldBend	WeldBend CS Class 150 Weld Neck RF Flange
5	2	4"	Metraflex	Metraflex CI Class 125 Y-Type Strainer SS-Screen
6	1	0.75"	Nibco	Nibco BRZ T-580-70 Ball Valve
7	1	5"	Nibco	Nibco DI LD-2000 Butterfly Valve
8	2	5"	Standard	Boltset
9	2	5"	Standard	Gasket
10	1	5"	WeldBend	WeldBend CS Class 150 Weld Neck RF Flange

### SP-6 Pipe Schedule

Item No	Size	Length	Material	Description	Comments
169	5"	2' - 10"	Pipe Mill List CS Std Wt A53 ERW Gr-B Pipe BW x BW	CS BW WeldBend (CS Thd Anvil x CS BW WeldBend)	
280	3/4"	0' - 1 3/16"	Mueller CS Sch Std A53 Black Steel Pipe 21 Ft MPT x MPT	CS Thd Anvil (CS GRV Victaulic x Thd Anvil)	



***SP-6***



Phone: (586) 825-3910  
 Fax: (586) 782-6314  
 www.intentionBIM.com

Date: 12/10/14	Floor:	Job Name: SJP RIVER DISTRICT HOSPITAL
Drawn By: LFJ	Area:	Shop Ref DWG:
	Job No:	Spool No: SP-6

### SP-7 Fitting Schedule

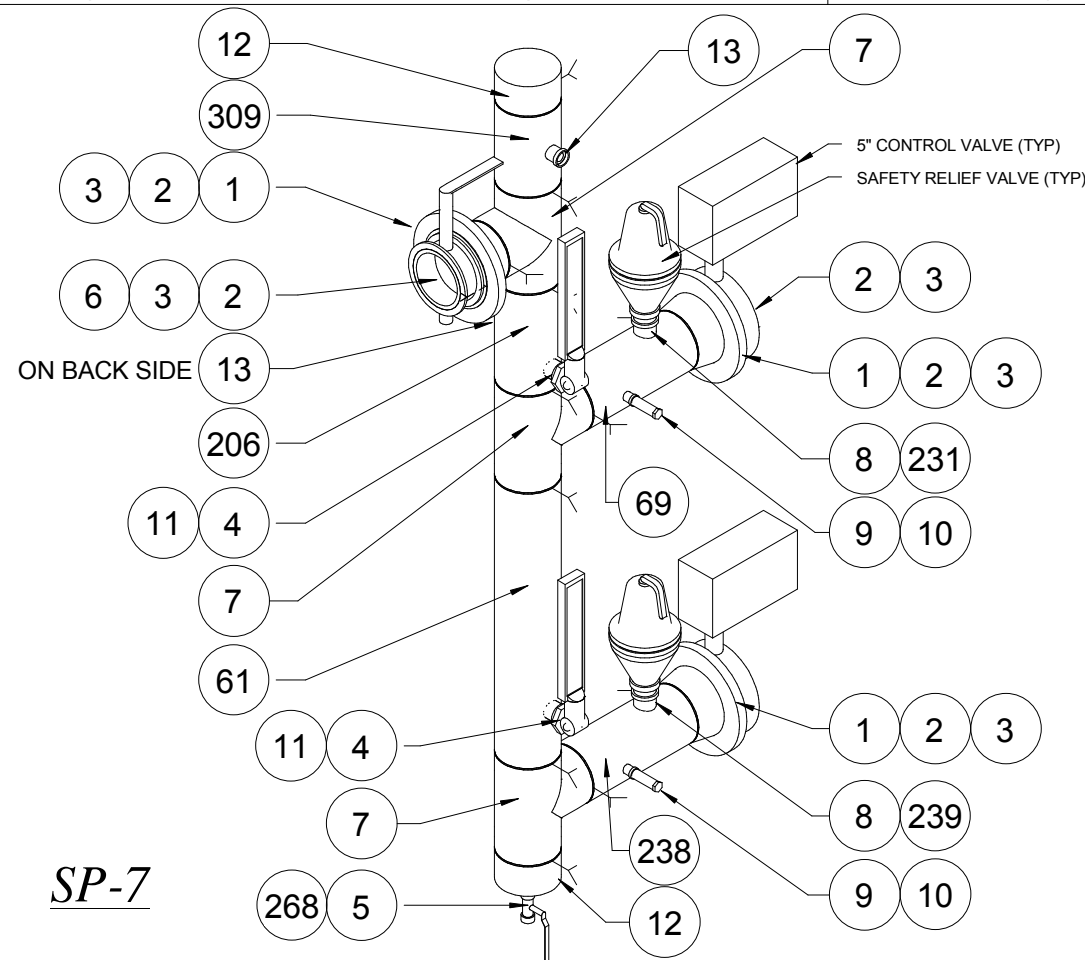
Piece No	Quantity	Size	Manufacturer	Description
7	3	5"	Weldbend	Weldbend CS Sch Std Straight Tee
8	2	5x1.5	Anvil	Anvil FS Class 3000 Flat Thread-O-Let
9	2	0.5"	PEC	PEC BR XL Neoprene
10	2	5x0.5	Anvil	Anvil FS Class 3000 Flat Thread-O-Let
11	2	5x1.25	Anvil	Anvil FS Class 3000 Flat Thread-O-Let
12	2	5"	WeldBend	Weldbend CS Sch Std Cap
13	2	5x1	Anvil	Anvil FS Class 3000 Flat Thread-O-Let
14	12	5"	WeldBend	Weldbend CS Sch Std Shop Weld Gap_125

### SP-7 Accessory Schedule

Piece No	Quantity	Size	Manufacturer	Description
1	3	5"	WeldBend	WeldBend CS Class 150 Weld Neck RF Flange
2	5	5"	Standard	Boltset
3	5	5"	Standard	Gasket
4	2	1.25"	Trerice	Trerice AL CX9-2-403-42 Industrial Thermometer
5	1	0.75"	Nibco	Nibco BRZ T-580-70 Ball Valve
6	1	5"	Nibco	Nibco DI LD-2000 Butterfly Valve

### SP-7 Pipe Schedule

Item No	Size	Length	Material	Description	Comments
61	5"	2' - 4"	Pipe Mill List CS Std Wt A53 ERW Gr-B Pipe BW x BW	CS BW WeldBend (CS Thd Anvil x CS BW WeldBend)	
69	5"	1' - 0 3/16"	Pipe Mill List CS Std Wt A53 ERW Gr-B Pipe BW x BW	CS BW WeldBend (CS Thd Anvil x CS BW WeldBend)	
206	5"	0' - 10 1/4"	Pipe Mill List CS Std Wt A53 ERW Gr-B Pipe BW x BW	CS BW WeldBend (CS Thd Anvil x CS BW WeldBend)	
231	1 1/2"	0' - 1"	Mueller CS Sch Std A53 Black Steel Pipe 21 Ft MPT x MPT	CS Thd Anvil (CS GRV Victaulic x Thd Anvil)	
238	5"	1' - 0 3/16"	Pipe Mill List CS Std Wt A53 ERW Gr-B Pipe BW x BW	CS BW WeldBend (CS Thd Anvil x CS BW WeldBend)	
239	1 1/2"	0' - 1"	Mueller CS Sch Std A53 Black Steel Pipe 21 Ft MPT x MPT	CS Thd Anvil (CS GRV Victaulic x Thd Anvil)	
268	3/4"	0' - 2 7/32"	Mueller CS Sch Std A53 Black Steel Pipe 21 Ft MPT x MPT	CS Thd Anvil (CS GRV Victaulic x Thd Anvil)	
309	5"	0' - 8 1/8"	Pipe Mill List CS Std Wt A53 ERW Gr-B Pipe BW x BW	CS BW WeldBend (CS Thd Anvil x CS BW WeldBend)	



Phone: (586) 825-3910  
 Fax: (586) 782-6314  
 www.intentioBIM.com

Date: 12/10/14	Floor:	Job Name: SJP RIVER DISTRICT HOSPITAL
Drawn By: LFJ	Area:	Shop Ref DWG:
	Job No:	Spool No: SP-7

### SP-8 Fitting Schedule

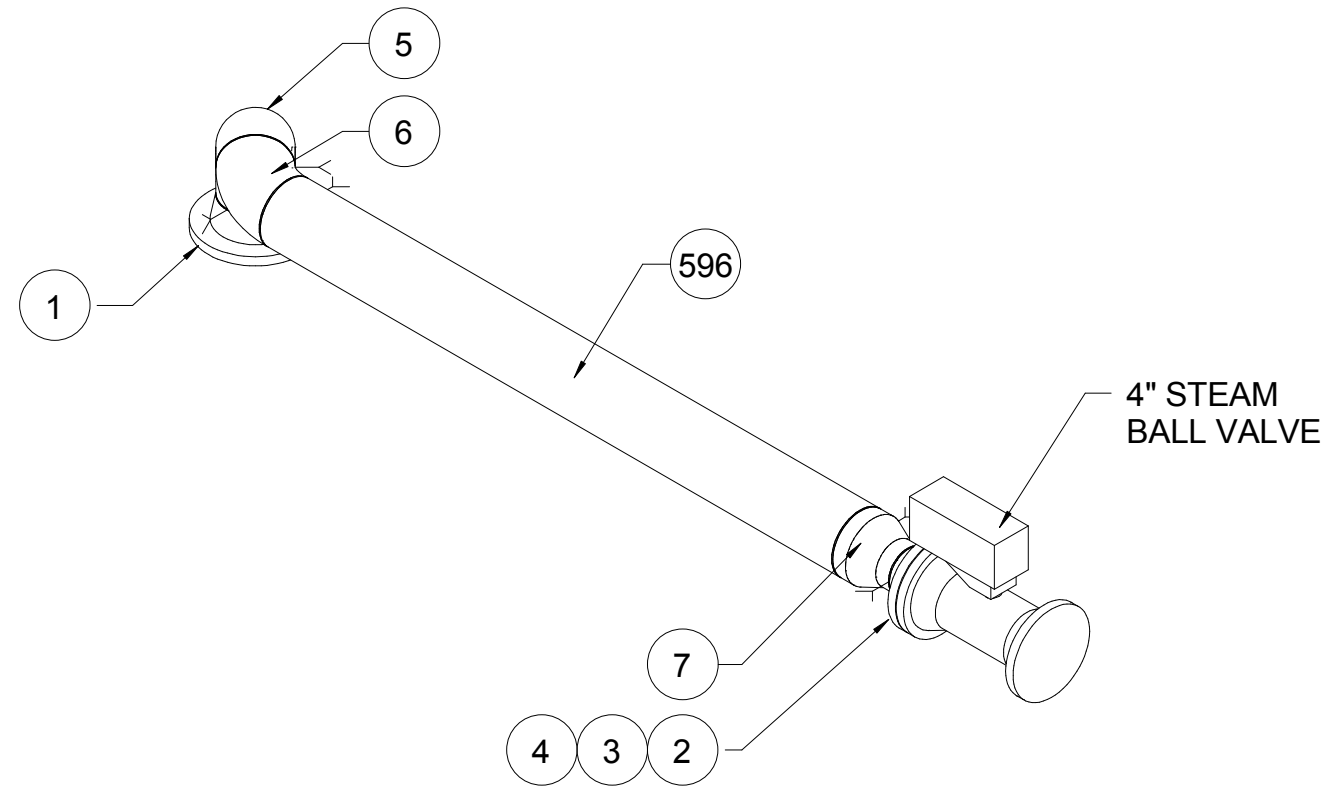
Piece No	Quantity	Size	Manufacturer	Description
5	1	6"	Weldbend	Weldbend CS Sch Std 90 Long Radius Elbow
6	1	6"	Weldbend	Weldbend CS Sch Std 45 Long Radius Elbow
7	1	6"x4"	Weldbend	Weldbend CS Sch Std Concentric Reducer
8	4	6"	WeldBend	Weldbend CS Sch Std Shop Weld Gap_125
9	1	4"	WeldBend	Weldbend CS Sch Std Shop Weld Gap_125

### SP-8 Accessory Schedule

Piece No	Quantity	Size	Manufacturer	Description
1	1	6"	WeldBend	WeldBend CS Class 150 Weld Neck RF Flange
2	1	4"	Standard	Gasket
3	1	4"	WeldBend	WeldBend CS Class 150 Weld Neck RF Flange
4	1	4"	Standard	Boltset

### SP-8 Pipe Schedule

Item No	Size	Length	Material	Description	Comments
596	6"	5' - 7 1/4"	Pipe Mill List CS Std Wt A53 ERW Gr-B Pipe BW x BW	CS BW WeldBend (CS Thd Anvil x CS BW WeldBend)	



***SP-8***



Phone: (586) 825-3910  
 Fax: (586) 782-6314  
 www.intentionBIM.com

Date: 12/10/14	Floor:	Job Name: SJP RIVER DISTRICT HOSPITAL
Drawn By: LFJ	Area:	Shop Ref DWG:
	Job No:	Spool No: SP-8



### SP-9 Fitting Schedule

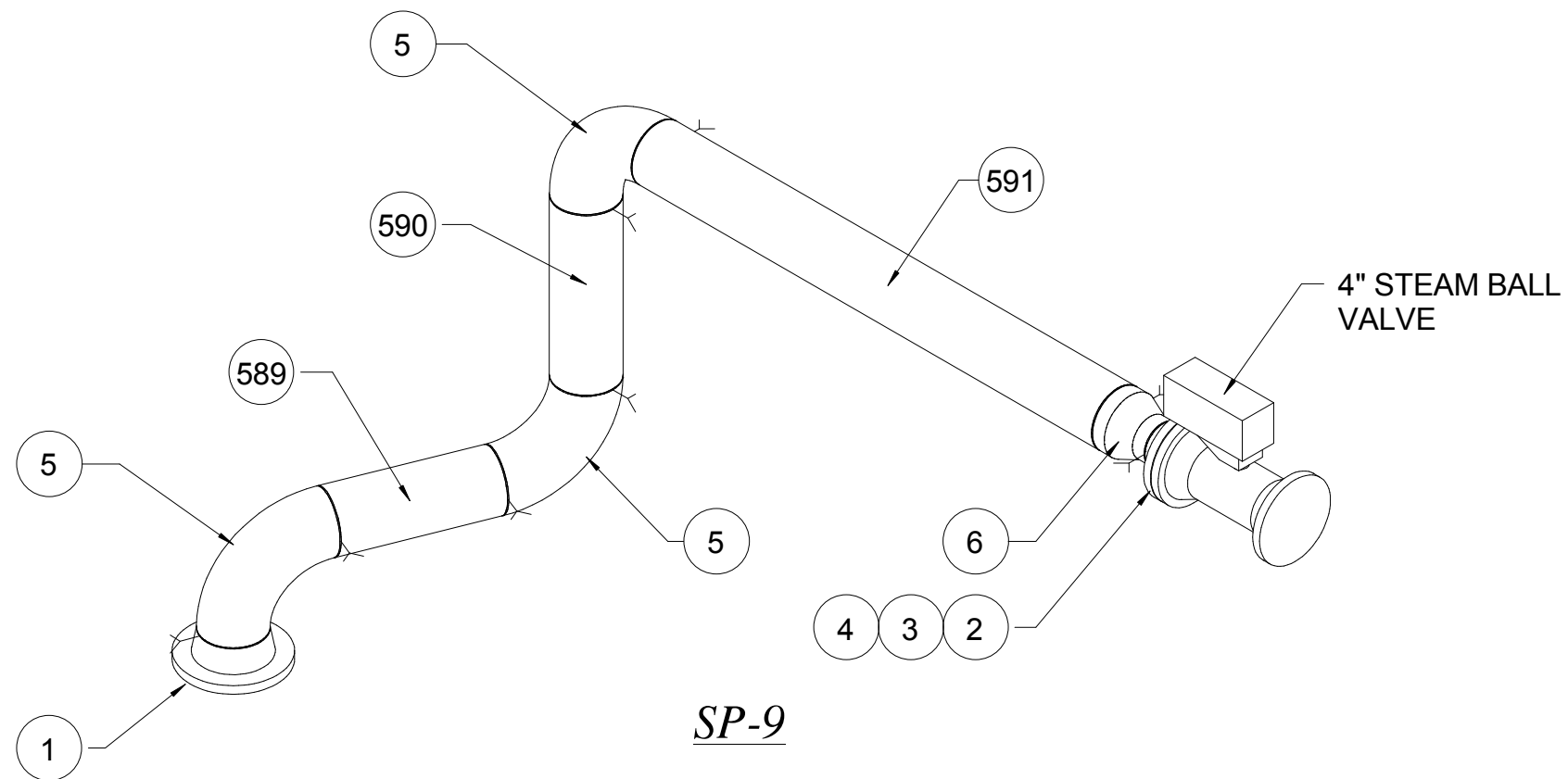
Piece No	Quantity	Size	Manufacturer	Description
5	3	6"	Weldbend	Weldbend CS Sch Std 90 Long Radius Elbow
6	1	6"x4"	Weldbend	Weldbend CS Sch Std Concentric Reducer
7	7	6"	WeldBend	Weldbend CS Sch Std Shop Weld Gap_125
8	1	4"	WeldBend	Weldbend CS Sch Std Shop Weld Gap_125

### SP-9 Accessory Schedule

Piece No	Quantity	Size	Manufacturer	Description
1	1	6"	WeldBend	WeldBend CS Class 150 Weld Neck RF Flange
2	1	4"	Standard	Gasket
3	1	4"	WeldBend	WeldBend CS Class 150 Weld Neck RF Flange
4	1	4"	Standard	Boltset

### SP-9 Pipe Schedule

Item No	Size	Length	Material	Description	Comments
589	6"	1' - 4 1/4"	Pipe Mill List CS Std Wt A53 ERW Gr-B Pipe BW x BW	CS BW WeldBend (CS Thd Anvil x CS BW WeldBend)	
590	6"	1' - 7 3/4"	Pipe Mill List CS Std Wt A53 ERW Gr-B Pipe BW x BW	CS BW WeldBend (CS Thd Anvil x CS BW WeldBend)	
591	6"	4' - 10 11/32"	Pipe Mill List CS Std Wt A53 ERW Gr-B Pipe BW x BW	CS BW WeldBend (CS Thd Anvil x CS BW WeldBend)	



Phone: (586) 825-3910  
 Fax: (586) 782-6314  
 www.intentionBIM.com

Date: 12/10/14	Floor:	Job Name: SJP RIVER DISTRICT HOSPITAL
Drawn By: LFJ	Area:	Shop Ref DWG:
	Job No:	Spool No: SP-9